

LED Dance Floor

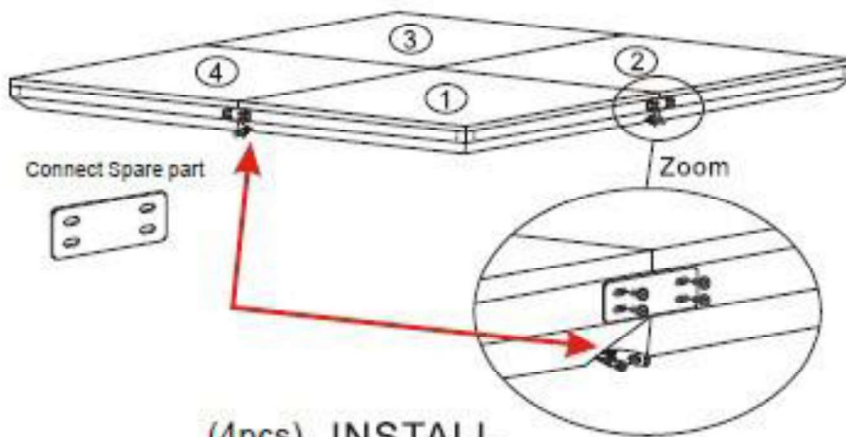
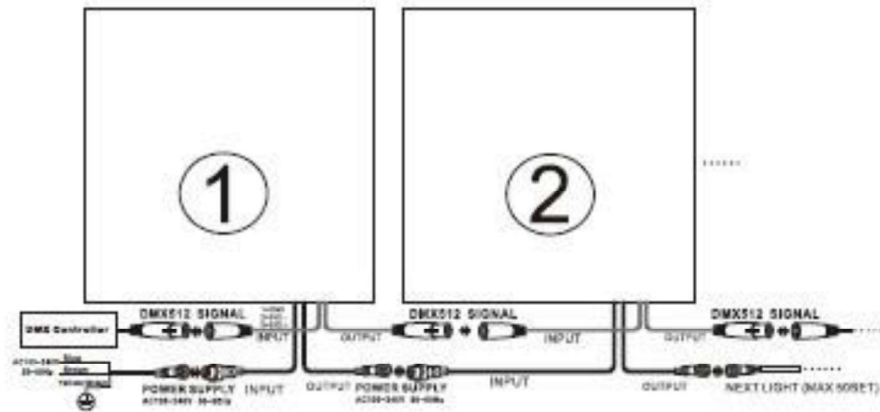


— Operating Manual —

1. House size

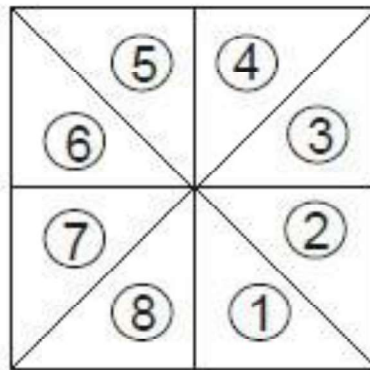
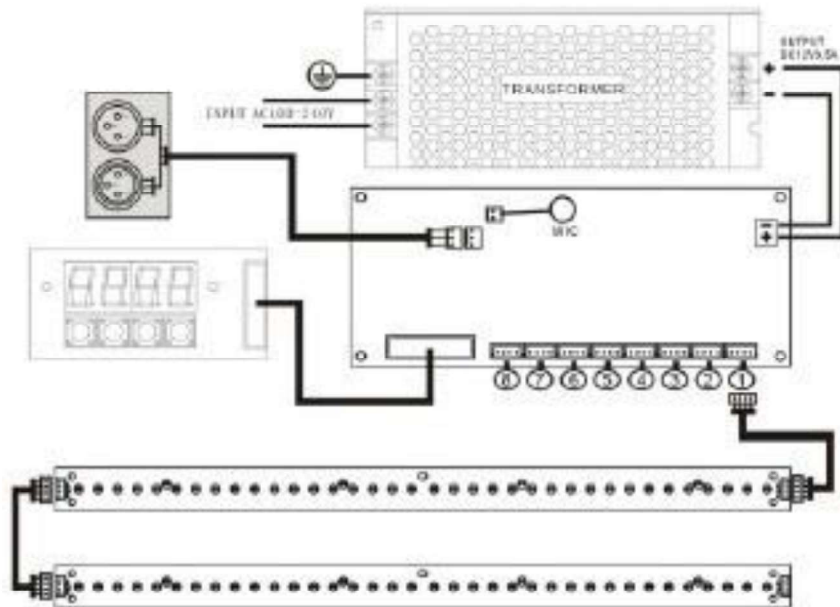


2. Install



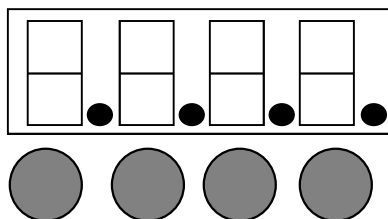
(4pcs) INSTALL

Wiring diagram



1. Display show

MENU
 ENTER:
 UP:
 DOWN:



MENU ENTER UP DOWN

2. Operation

d.001	d.512	DMX Mode
FF01	FF99	Auto Mode Group1
CC01	CC99	Auto Mode Group 2
EE01	EE99	Radiation Strip Operation Mode
dEoo	dEoo	Demo Mode
SoUd	SoUd	Sound Mode
SLAv	SLAv	Master/Slave

3. Channel List

CH1	8 groups light rotation	0-5	Off
		6-49	diagonal rotation without ground color
		50-104	diagonal rotation with ground color
		105-154	Chromatically rotation
		155-204	block chart rotation
		205-252	Full color rotation, 8 color rotation at same time.
		253-255	by manual, start on CH8-CH31 with dimmer
CH2	8 groups light rotation & direction	0-127	corotation speed adjustment
CH3	Build-in Programme speed	0-32	no rotation
		33-255	Single group rotation and speed adjustment
CH4	Light group 1	0-255	R brightness from bright to dark
CH5		0-255	G brightness from bright to dark
CH6		0-255	B brightness from bright to dark
CH7	Light group 2	0-255	R brightness from bright to dark
CH8		0-255	G brightness from bright to dark
CH9		0-255	B brightness from bright to dark

CH10	Light group 3	0-255	R brightness from bright to dark
CH11		0-255	G brightness from bright to dark
CH12		0-255	B brightness from bright to dark
CH13	Light group 4	0-255	R brightness from bright to dark
CH14		0-255	G brightness from bright to dark
CH15		0-255	B brightness from bright to dark
CH16	Light group 5	0-255	R brightness from bright to dark
CH17		0-255	G brightness from bright to dark
CH18		0-255	B brightness from bright to dark
CH19	Light group 6	0-255	R brightness from bright to dark
CH20		0-255	G brightness from bright to dark
CH21		0-255	B brightness from bright to dark
CH22	Light group 7	0-255	R brightness from bright to dark
CH23		0-255	G brightness from bright to dark
CH24		0-255	B brightness from bright to dark
CH25	Light group 8	0-255	R brightness from bright to dark
CH26		0-255	G brightness from bright to dark
CH27		0-255	B brightness from bright to dark

4. Product Specification

Voltage: AC220V 50/60HZ

Power: 70W

Actual power: 50W

Led Quantity:led 432/648pcs

DMX Channel: 27channels